



REFUSE COMPACTOR MC4000

GENERAL DESCRIPTION:

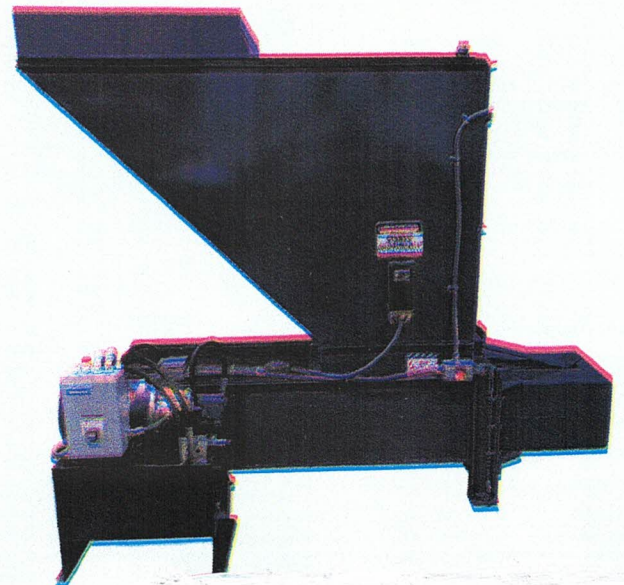
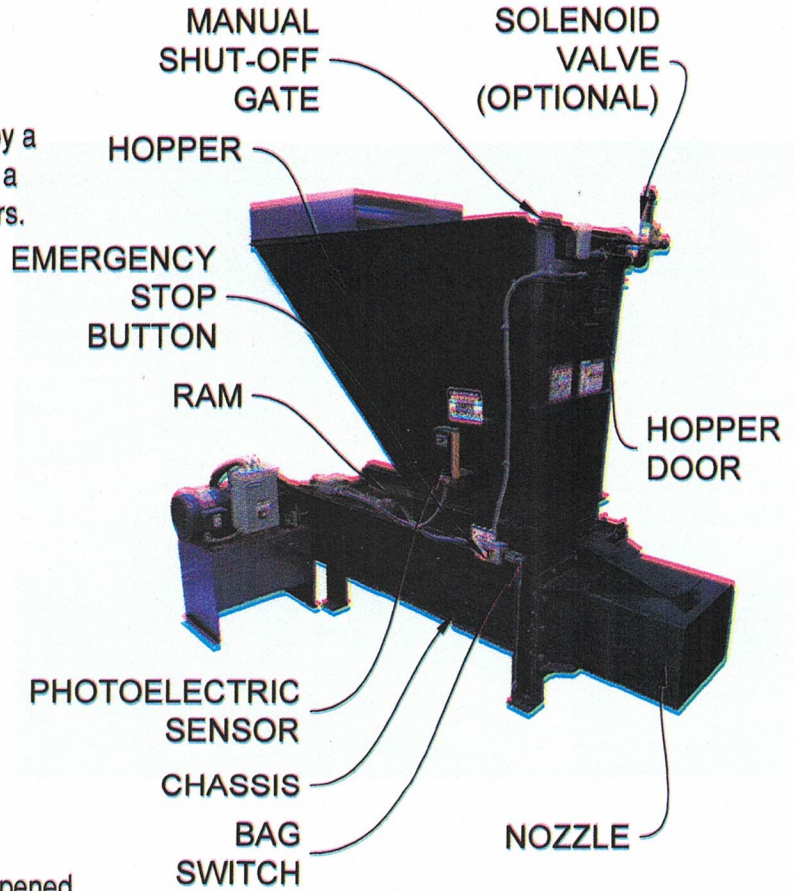
Chute-fed, fully automatic, hydraulically operated piston extrusion type horizontal refuse compactor is operated by a single cylinder. Compacted refuse can be extruded into a individual plastic bags or reusable 2 cubic yard containers.

MECHANICAL FEATURES:

- Factory assembled
- Wired and tested prior to shipment
- Chassis (Body) - $\frac{3}{8}$ " thick
- Chassis Impact Plate - $\frac{1}{2}$ " thick
- Ram Housing - $\frac{3}{8}$ " thick
- Ram face plate - 1" thick
- Hopper - 11 Gauge with $\frac{3}{16}$ " thick impact plate

SAFETY FEATURES:

- ANSI Z245.21 compliance (Optional)
- LED Photoelectric sensor indicating full container
- Compaction ram starts in fully retracted position
- Emergency stop button
- Automatic shutdown when refuse bag is full
- Hopper door switch shuts compactor down when opened
- Manual shut-off gate
- Ram retract button
- 5 Amp fused circuit
- Adjustable overload relay
- Optional sprinkler solenoid assembly (Requires 110v circuit)
- Optional full bag light with audible alarm



	MC4000
WEIGHT	1,300 LBS
OVERALL DIMENSIONS (W x L x H)	29 $\frac{1}{2}$ " X 76 $\frac{3}{4}$ " X 62"
CYCLE TIME	28s-32s
RAM FORCE	58,920 LBS @ 3,000 PSI
HYDRAULIC CYLINDER	5" Ø BORE, 2" ROD & 24" STROKE
CAPACITY	1,500 LBS/HOUR
ELECTRIC MOTOR	5 HP, 1,750 RPM, 208/220/440 VOLTS*, 14.7 AMPS, 3 PHASE, 60 CYCLES
BUILDING UNITS	UP TO 100 UNITS

* 440 Volts compactors require additional transformer for operation